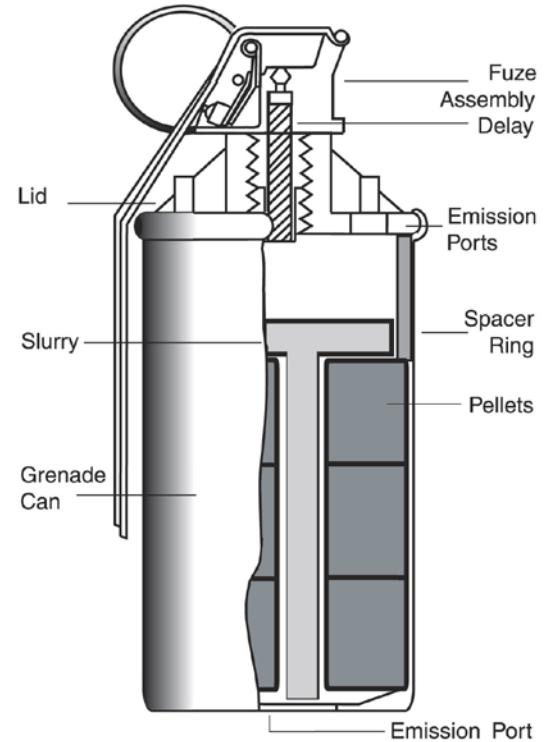




COLORED SAF-SMOKE™ TRAINING/OPERATIONAL SMOKE GRENADE

DEFENSE TECHNOLOGY®

PRODUCT SPECIFICATIONS	
Diameter	2.35 in / 6.0 cm
Length	6.00 in / 15.2 cm
Fuze	M201A1 Type
Active Agent	N/A
Discharge Time	30 – 40 Seconds
Launchable	Yes
Part No.	Black 1062 Blue 1064 Green 1065 Red 1067 Yellow 1069
Warranty	5 years from date of manufacture



ALL SPECIFICATIONS ARE AVERAGES AND SUBJECT TO CHANGE

The series of Colored Smoke Grenades are modeled after, and are of similar performance to that of the Saf-Smoke™ Smoke Grenade. Colored Smoke is discharged for approximately 30 – 40 seconds through four (4) gas ports located on top of the canister and one (1) located on the bottom.

Colored Smoke is ideal for signaling, communication, and as an intimidation for crowd control. It can be utilized as a carrying agent (multiplier) for smaller CN, CS or OC munitions, or for concealing the movement of agency personnel. It may also be used as a distraction to focus attention away from other activities. The device should be deployed utilizing wind advantage.

It should NOT be deployed onto rooftops, in crawl spaces, or indoors due to its fire-producing capability. Hand throw or launch. Launching of grenades will provide deploying officers additional stand-off distances.

⚠ WARNING

This product can expose you to chemicals including Lead Salts and Hexavalent Chromium, which are known to the State of California to cause cancer, and Lead Salts, which are known to the State of California to cause birth defects or other reproductive harm. For more information, go to www.P65Warnings.ca.gov.

WARNING: THIS PRODUCT IS TO BE USED ONLY BY AUTHORIZED AND TRAINED LAW ENFORCEMENT, CORRECTIONS, OR MILITARY PERSONNEL. THIS PRODUCT MAY CAUSE SERIOUS INJURY OR DEATH TO YOU OR OTHERS. THIS PRODUCT MAY CAUSE SERIOUS DAMAGE TO PROPERTY. HANDLE, STORE AND USE WITH EXTREME CARE AND CAUTION. USE ONLY AS INSTRUCTED.

