



**DEFENSE  
TECHNOLOGY®**

## OC AEROSOL GRENADE FOGGER, 1 OZ

PRODUCT SPECIFICATIONS	
Diameter	1.375 in / 3.5 cm
Length	3.8 in / 9.7 cm
Initiation	Lock Top Actuator
Active Agent	OC 1.3% Major Capsaicinoids
Formulation Weight	1 oz
Discharge Time	Less than 15 seconds
Launchable	No
Part No.	56814
Warranty	5 years from date of manufacture

### ALL SPECIFICATIONS ARE AVERAGES AND SUBJECT TO CHANGE

The Aerosol Grenade Fogger is available in an inert version for training purposes. This option has all the features of its live counterpart, but void of OC.

Part No. 56544I

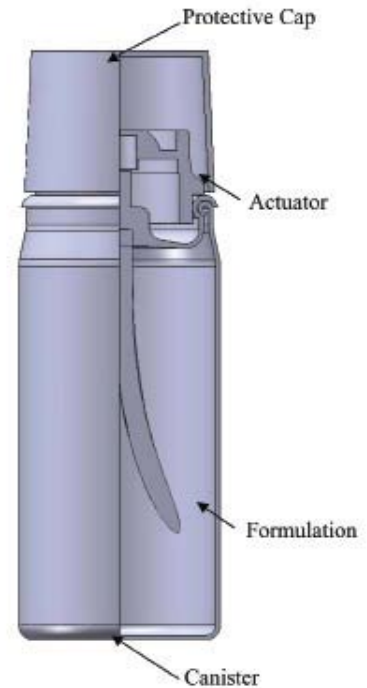
The Aerosol Grenade Fogger was designed as an operator controlled instantaneous initiated aerosol grenade. It is a non-pyrotechnic that contains no CFCs, is not a fire hazard and requires minimal decontamination.

It incorporates a lock-top actuation mechanism that once fully depressed, immediately begins discharging contents. This mechanism can be initiated single handedly, allowing the operator uninhibited use of their free hand. Discharge time is less than 15 seconds, permitting maximum diffusion of irritant to intended target area.

It is designed for use in tactical indoor operations by law enforcement and corrections personnel when a non-pyrotechnic instantaneous delivery system is desired. It is most effective when used in confined areas or deployed close to the target.

The purpose of the Aerosol Grenade Fogger is to minimize the risks to all parties through pain compliance, temporary discomfort and/or incapacitation of potentially violent or dangerous subjects.

It is ideal for situations where the use of pyrotechnic, powder, or liquid devices are not practical or desired. The 1.3% Major Capsaicinoids provides sufficient effects in confined areas of up to 6,000 cubic feet such as attics, crawl spaces, garages, and interior rooms.



**WARNING: Aerosol products described here are intended to be used only by authorized and trained Law Enforcement, Corrections, or Military Personnel. Additional product information and training is available from Defense Technology®. Handle, store and use with care and caution.**

1855 South Loop Casper, WY 82601

[www.defense-technology.com](http://www.defense-technology.com)

800.347.1200

Safariland, LLC Rev. 06/20