

# TACTICAL DIVERSIONARY DEVICE 6.5-GRAM, NON-RELOADABLE & NON- RELOADABLE WITH SAFETY CLIP



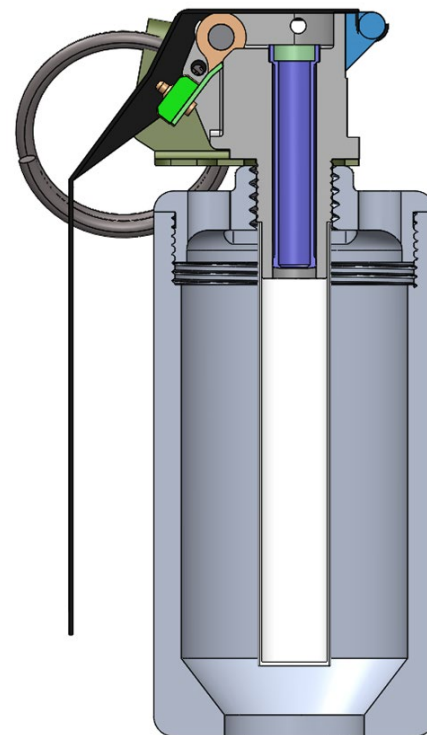
**DEFENSE  
TECHNOLOGY®**

PRODUCT SPECIFICATIONS	
Diameter	1.76 in / 4.47 cm
Length	4.50 in / 11.43 cm
Canister	Round, Aluminum
Fuze	M201A1 Type
Explosive Content	Flash Powder - 0.23 oz / 6.5 grams
Sound Level	162 dB at 5' (1.5m)
Part No.	8909NR 8909NRSC
Warranty	5 years from date of manufacture

**ALL SPECIFICATIONS ARE AVERAGES AND SUBJECT TO CHANGE**

The Tactical Diversionary Device utilizes a M201A1 type fuze with a single use aluminum body. This compact unit is designed around a 6.5 gram water resistant charge, capable of producing an effective, yet reduced 162dB stimuli. Its size and shape are industry familiar and allow it to fit in standard tactical pouches. The device should only be deployed in areas that have been visually observed to be clear of potential hazards. It is recommended that the immediate area for deployment be visually affirmed to be clear of personnel and that the device is delivered so that the ports are free from obstruction. If the bottom ports are obstructed by an object or wall, the device body may move. The cleared area for deployment should be 5 - 6 feet around which the device is expected to come to rest.

The standard render safe practice involving 24-hour water submersion will no longer be effective for the high humidity devices, please consult the render safe procedure for incineration in the instructions.



**⚠ WARNING**

This product can expose you to chemicals including Lead Salts and Hexavalent Chromium, which are known to the State of California to cause cancer, and Lead Salts, which are known to the State of California to cause birth defects or other reproductive harm. For more information, go to [www.P65Warnings.ca.gov](http://www.P65Warnings.ca.gov).



**WARNING:** TO BE USED BY TRAINED LAW ENFORCEMENT, CORRECTIONAL OR MILITARY PERSONNEL WHO HAVE SUCCESSFULLY COMPLETED A TRAINING PROGRAM FOR THE DEPLOYMENT OF DISTRACTION DEVICE® UNITS. **IMPROPER USE OF THE DISTRACTION DEVICE UNIT CAN RESULT IN DEATH OR SERIOUS BODILY INJURY.**